

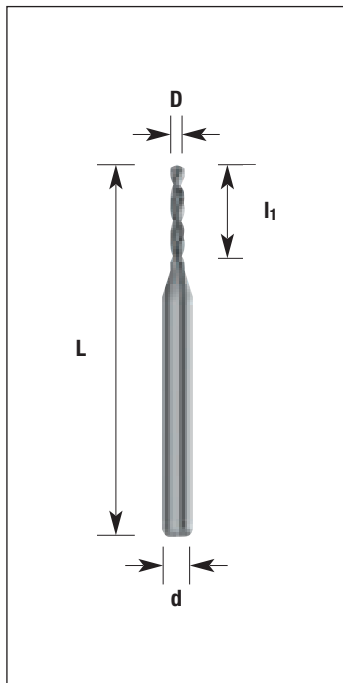
drills - micro drills

Bohrer - Miniaturbohrer

forets - forets miniature

brocas - mini brocas

foratura - micro punte



d = 1/8" / 3.175mm
h1 = 1 1/2" / 38mm

226

Z=2



tol: D
+0.000/-0.013mm
+0.000/-0.0005"


tol: d
+0.000/-0.013mm
+0.000/-0.0005"

**Micro Grain
K10/K30**

1.1 - 1.3	6.1 - 6.3
1.4 - 1.6	7.1 - 8.2
3.1 - 3.4	

D mm	inch equiv.	L mm	Part Nr
0.50	.0197	6.35	22601970
0.55	.0216	6.35	22602160
0.60	.0236	7.92	22602360
0.65	.0256	7.92	22602560
0.70	.0275	9.92	22602750
0.75	.0295	9.52	22602950
0.80	.0315	9.52	22603150
0.85	.0335	10.66	22603350
0.90	.0354	10.66	22603540
0.95	.0374	10.66	22603740
1.00	.0394	10.66	22603940
1.05	.0413	10.66	22604130
1.10	.0433	10.66	22604330
1.15	.0453	10.66	22604530
1.20	.0472	10.66	22604720
1.25	.0492	10.66	22604920
1.30	.0512	10.66	22605120
1.35	.0531	10.66	22605310
1.40	.0551	10.66	22605510
1.45	.0571	10.66	22605710
1.50	.0590	10.66	22605900
1.55	.0610	10.66	22606100
1.60	.0630	12.19	22606300
1.65	.0650	12.19	22606500

D mm	D ins	L mm	Part Nr
1.70	.0670	12.19	22606700
1.75	.0689	12.19	22606890
1.80	.0709	12.19	22607090
1.85	.0728	12.19	22607280
1.90	.0748	12.19	22607480
1.95	.0768	12.19	22607680
2.00	.0787	12.19	22607870
2.05	.0807	12.19	22608070
2.10	.0827	12.19	22608270
2.15	.0846	12.19	22608460
2.20	.0866	12.19	22608660
2.25	.0886	12.19	22608860
2.30	.0905	12.19	22609050
2.35	.0925	12.19	22609250
2.40	.0945	12.19	22609450
2.45	.0965	12.19	22609650
2.50	.0985	12.19	22609850
2.60	.1024	12.19	22610240
2.70	.1063	12.19	22610630
2.80	.1102	12.19	22611020
2.90	.1142	12.19	22611420
3.00	.1181	12.19	22611810
3.10	.1221	12.19	22612210

 = 10

drills - micro drills

Bohrer - Miniaturbohrer

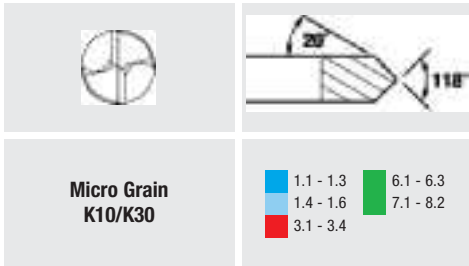
forets - forets miniature

brocas - mini brocas

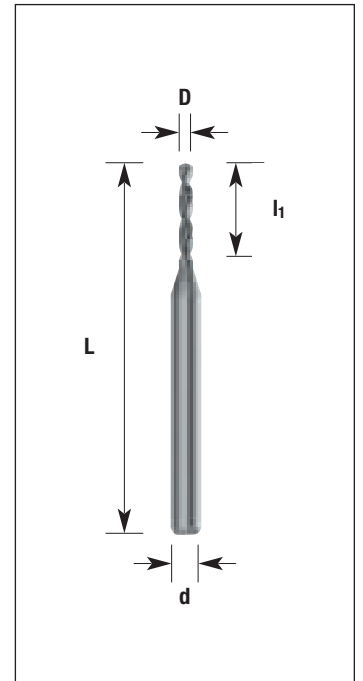
foratura - micro punte

226

Z=2



tol: D	tol: d
+0.000/-0.013mm	+0.000/-0.013mm
+0.000/-0.0005"	+0.000/-0.0005"



wire size	dec equiv.	mm equiv.	L	Part Nr
80	.0135	.3429	.188	22601350
79	.0145	.3863	.188	22601450
78	.0160	.4064	.218	22601600
77	.0180	.4572	.250	22601800
76	.0200	.5080	.250	22602000
75	.0210	.5334	.250	22602100
74	.0225	.5715	.250	22602250
73	.0240	.6096	.312	22602400
72	.0250	.6250	.312	22602500
71	.0260	.6604	.312	22602600
70	.0280	.7112	.375	22602800
69	.0292	.7417	.375	22602920
68	.0310	.7874	.375	22603100
67	.0320	.8128	.375	22603200
66	.0330	.8328	.375	22603300
65	.0350	.8890	.420	22603500
64	.0360	.9144	.420	22603600
63	.0370	.9398	.420	22603700
62	.0380	.9652	.420	22603800
61	.0390	.9906	.420	22603900
60	.0400	1.0160	.420	22604000
59	.0410	1.0414	.420	22604100
58	.0420	1.0668	.420	22604200
57	.0430	1.0922	.420	22604300
56	.0465	1.1811	.420	22604650
55	.0520	1.3208	.420	22605200
54	.0550	1.3970	.420	22605500
53	.0595	1.5113	.420	22605950
52	.0635	1.6129	.480	22606350
51	.0670	1.7018	.480	22606700
50	.0700	1.7780	.480	22607000
49	.0730	1.8542	.480	22607300
48	.0760	1.9304	.480	22607600

wire size	dec equiv.	mm equiv.	L	Part Nr
47	.0785	1.9939	.480	22607850
46	.0810	2.0574	.480	22608100
45	.0820	2.0828	.480	22608200
44	.0860	2.1844	.480	22608600
43	.0890	2.2606	.480	22608900
42	.0935	2.3749	.480	22609350
41	.0960	2.4384	.480	22609600
40	.0980	2.4892	.480	22609800
39	.0995	2.5273	.480	22609950
38	.1015	2.5781	.480	22610150
37	.1040	2.6416	.480	22610400
36	.1065	2.7051	.480	22610650
35	.1100	2.7940	.480	22611000
34	.1110	2.8194	.480	22611100
33	.1130	2.8702	.480	22611300
32	.1160	2.9464	.480	22611600
31	.1200	3.0480	.480	22612000

ins	dec equiv.	mm equiv.	L	Part Nr
1/64	.0156	.3962	.218	22601560
1/32	.0312	.7950	.375	22603120
3/64	.0469	1.1913	.420	22604690
1/16	.0625	1.5875	.480	22606250
5/64	.0781	1.9837	.480	22607810
3/32	.0938	2.3825	.480	22609380
7/64	.1094	2.7788	.480	22610940
1/8	.1250	3.1750	.480	22612500

d = 1/8" / 3.175mm
h1 = 1 1/2" / 38mm